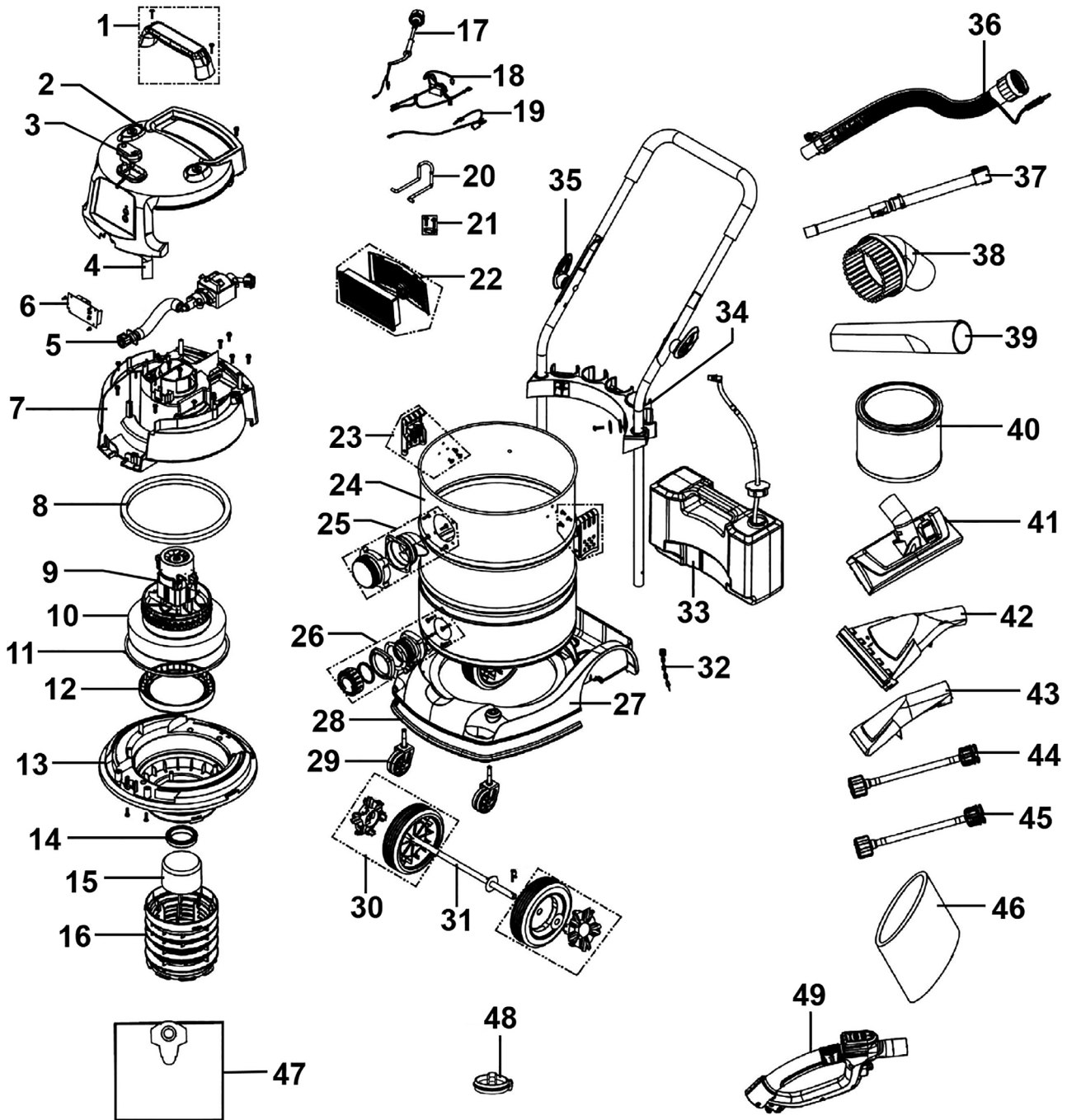


Parts Information:  
**Valet Machine Wet & Dry 30L Stainless Drum**  
**Model No: VMA915**



Item	Part No.	Description
1	VMA915.01	Handle Assembly
2	VMA915.02	Top Cover
3	VMA915.03	Switch (On/Off) Rocker (c/w Red Cover)
4	VMA915.04	Foam
5	VMA915.05	Pump Assembly

Item	Part No.	Description
6	VMA915.06	PCB Assembly 100 x 50mm (c/w Micro switch x 2)
7	VMA915.07	Middle Cover Assembly
8	VMA915.08	Seal Ring

**NOTE:** It is our policy to continually improve products and as such we reserve the right to alter data, specifications and component parts without prior notice. There may be alternative versions of this product, please contact us should you require this information.

**IMPORTANT:** No liability is accepted for incorrect use of product. Spare parts must be fitted by a competent person

**WARRANTY:** Guarantee is 12 months from purchase date, proof of which will be required for any claim.



Parts Information:  
**Valet Machine Wet & Dry 30L Stainless Drum**  
**Model No: VMA915**

Item	Part No.	Description
9	VMA915.09	Motor Assembly 230V 1500W
10	VMA915.10	Seal Ring, Motor
11	VMA915.11	Protector, Seal Ring
12	VMA915.12	Seal Ring
13	VMA915.13	Lower Cover Assembly
14	VMA915.14	Seal Ring
15	VMA915.15	Float
16	VMA915.16	Filter Basket
17	VMA915.17	Power Cord Assembly
18	VMA915.18	Capacitor & Inductance Assembly
19	VMA915.19	Connection Assembly
20	VMA915.20	Hook
21	VMA915.21	Cord Clamp Assembly
22	VMA915.22	Air Vent (c/w Filter)
23	VMA915.23	Bin Clip Assembly
24	VMA915.24	Stainless Steel Bin 30L
25	VMA915.25	Air Inlet Assembly
26	VMA915.26	Water Drain Assembly
27	VMA915.27	Base
28	VMA915.28	Base Protection
29	VMA915.29	Wheel, Fixed Castor (Ø 50 x 18 Ø 4 x 98)
30	VMA915.30	Rear Wheel Kit (c/w Fixings)(Ø 150 x 40 x Ø 12)
31	VMA915.31	Wheel Axle 360mm Ø 12mm
32	VMA915.32	Chain Assembly
33	VMA915.33	Soap Tank Assembly
34	VMA915.34	Accessory Storage Frame

Item	Part No.	Description
35	VMA915.35	Handle Assembly
36	VMA915.36	Suction Hose
37	VMA915.37	Stainless Telescopic Tube
38	VMA915.38	Round Brush
39	VMA915.39	Crevice Tool
40	PC310CF	Cartridge Filter ( <b>Please See Catalogue</b> )
41	VMA915.41	Combo Floor Brush
42	VMA915.42	Shampoo Head (Large)
43	VMA915.43	Shampoo Head (Small)
44	VMA915.44	Shampoo Spraying Nozzle (875mm)
45	VMA915.45	Shampoo Spraying Nozzle (135mm)
46	PC200FF10	Foam Filter (Pack of 10) ( <b>Please See Catalogue</b> )
47	PC300PB5	Dust Collection Bag (Pack Of 5) ( <b>Please See Catalogue</b> )
48	VMA915.48	Hose Storage Hook
49	VMA915.49	Remote Handle Assembly
--	PC200CFL	Locking Cartridge Filter (Not Shown) ( <b>Please See Catalogue</b> )
--	VMA915.05-1	Detergent Connection Valve (Not Shown)
--	VMA915.33-1	O-Ring (10.13 x 6.01 x 2.06) (Not Shown)
--	VMA915.33B-1	Longer Pipe (Not Shown)
--	VMA915.33B-2	Shorter Pipe (Not Shown)
--	VMA915.36-1	Detergent Hose 6mm x 2900mm (Not Shown)
--	SA802.23	O-Ring (9.63 x 6.07 x 1.78) (Not Shown)
--	VMA915.05-2	Valve Assembly (c/w Pipe,Cover And Connector) (Not Shown)

**NOTE:** It is our policy to continually improve products and as such we reserve the right to alter data, specifications and component parts without prior notice. There may be alternative versions of this product, please contact us should you require this information.

**IMPORTANT:** No liability is accepted for incorrect use of product. Spare parts must be fitted by a competent person

**WARRANTY:** Guarantee is 12 months from purchase date, proof of which will be required for any claim.

**Sealey Group**, Kempson Way, Suffolk Business Park, Bury St Edmunds, Suffolk. IP32 7AR



01284 757500



sales@sealey.co.uk



www.sealey.co.uk